

# MANISCOPIC

## ■ MT 620

- Compactness: 1,95 m in height
- Stability: 1200 kg to 3 m in front of the wheels



 **MANITOU**

# MT 620

**Lifting capacity** .....2000 kg  
 at 500 mm from forks heels.  
 Tipping load  
 at maximum reach: .....1337 kg  
 Tear out force with bucket  
 to ISO 8313.....4320 daN

**Lifting height:** .....5.56 m  
 Times: unladen/loaded (in s)  
 Lifting .....6/6.7  
 Lowering .....4/4  
 Boom extension.....4.5/4.6  
 Boom retraction .....3/2.4  
 Time unladen (in s)  
 Crowd .....2.7  
 Dump .....2.3

**Tyres**  
 Std: 12-16.5 NHS 12PR  
 Option: 12-18 T86 12PR

**Forks (mm)**  
 Length.....1200  
 Width x thickness .....125 x 40

**Oil bath multidisc brakes**

**Perkins engine**  
 Type .....1103C 33 3/3300 cm<sup>3</sup>  
 Power (ISO/TR 14396) .....58 HP/43 kw  
 Maximum torque.....222 Nm at 1400 tr/mn  
 Direct injection  
 Water cooling

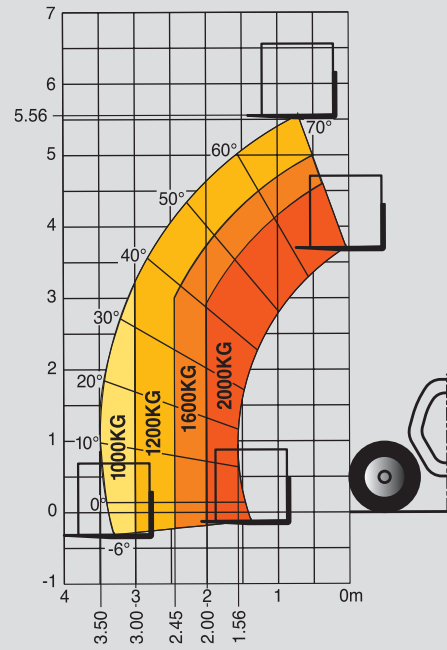
**Transmission** .....hydrostatic  
 Electro - hydraulic reversing shift  
 One speed forward and reverse

**Hydraulics**  
 Lifting/tilting pump:  
 gear type .....87 l./mn - 230 bars  
 Flow divider with priority to steering

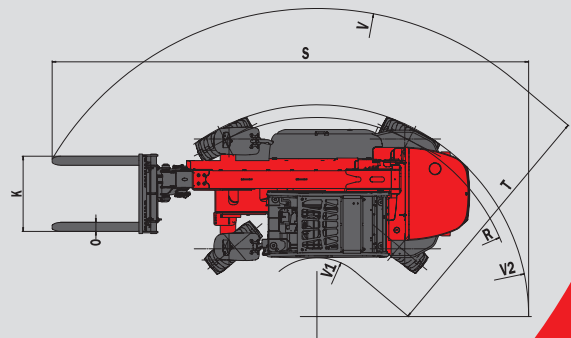
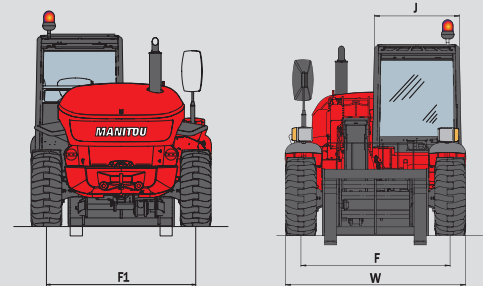
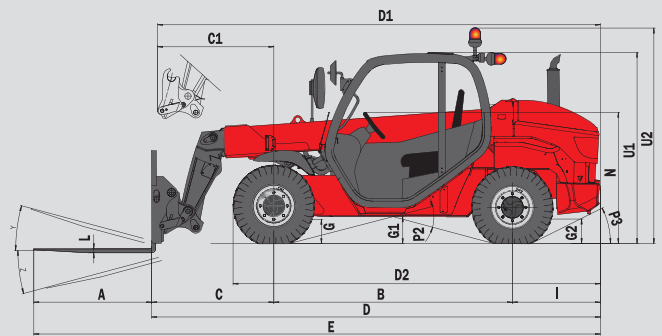
**Capacities**  
 Cooling system.....24 l.  
 Transmission oil .....123 l.  
 Engine oil .....6.9 l.  
 Fuel tank .....94 l.

**Weight unladen (with forks)**.....5160 kg  
**Overall width** .....1.83 m  
**Overall height** .....1.95 m  
**Turning radius (outside wheels)** .....3.14 m  
**Length up to carriage**.....4.57 m  
**Ground clearance** .....0.25 m  
**Drawbar pull**.....3900 daN

## Reach at maximum height : 0,70 m



Under EN 1459 annexe B



| MT 620 |        |
|--------|--------|
| A      | 1200   |
| B      | 2430   |
| C      | 1245   |
| C1     | 1184   |
| D      | 4571   |
| D1     | 4510   |
| D2     | 3741   |
| E      | 5771   |
| F      | 1520   |
| F1     | 1520   |
| G      | 245    |
| G1     | 273    |
| G2     | 249    |
| I      | 905    |
| J      | 865    |
| K      | 1040   |
| L      | 40     |
| N      | 1337   |
| O      | 125    |
| P2     | 29,5°  |
| P3     | 31°    |
| R      | 3190   |
| S      | 6588   |
| T      | 3475   |
| U1     | 1949   |
| U2     | 2195   |
| V      | 4290   |
| V1     | 815    |
| V2     | 3144   |
| W      | 1834   |
| Y      | 12°    |
| Z      | 120,2° |

(mm)

This publication in no way constitutes an offer and the company reserves the right to alter specification without prior notice.  
 The MANITOU models presented in this brochure can be supplied complete with optional equipment attachments.



**MANITOU BF SA**  
 B.P. 249 - 44158 Ancenis Cedex - France  
 Tel. : 33 2 40 09 10 11 / Export Department Fax : 33 2 40 09 10 97  
 www.manitou.com

700411EN-A - 02/08 - doc BE 192 - C

