

# MANITRANSIT ■ TMT 2020 S

## Rough-terrain telescopic truck-mounted forklift

- Nominal maximum 2000 kg
- Excellent ratio weight/capacity
- Ultra-Compact



## TMT 2020 S



### CAPACITY

Maximum Capacity .....2000 kg



### LIFTING

Maximum lifting height .....2980 mm

Maximum front reach .....1030 mm

Side-shift.....135 mm



### ENGINE / TRANSMISSION

Type .....KUBOTA (27 HP)

Hydrostatic transmission

Driving wheels .....3



### TYRES

Front tyres.....26x12-12 10 PR

Rear tyre .....26x12-12 10 PR



### DIMENSIONS

Width .....2449 mm

Height .....2159 mm

Overhang (in transport position) .....1170 mm

Weight (without equipment) .....1910 kg

### IN STANDARD

ROPS/FOPS Cab + load indicator

FNR joystick

Waterproof dashboard and electric connections

Stabilisers

Differential lock

Anticorrosion treatment by cataphoresis

### OPTIONS

Full mounting kit

Load repartition calculation (on request)

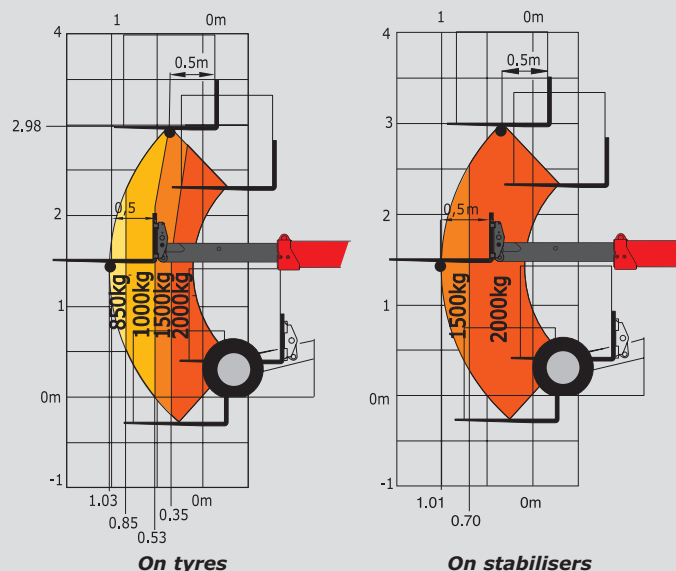
Rearview mirrors

Rotating beacon

Road lights

Working lights and reversing light

Load backrest



## BOOM



Enables you to offload your lorry with the best visibility ever.

## NEW FNR JOYSTICK



This new « boom control » joystick now integrates the « reversing shift » function : the driver can keep one hand on the steering wheel and one hand on this joystick to operate any movement. Time saving and much better driving position.



This publication in no way constitutes an offer and the company reserves the right to alter specification without prior notice. The MANITOU models presented in this brochure can be supplied complete with optional equipment attachments. IMPORTANT : All regulations relating to vehicles apply to vehicles equipped with truck-mounted forklifts.

## STABILISERS



The 2 front stabilisers of the TMT 2020 S give more lifting capacity, especially when the boom is fully extended at maximum reach.

MANITOU BF SA

B.P. 249 - 44158 Ancenis Cedex - France

Tel. : 33 2 40 09 10 11 / Export Department Fax : 33 2 40 09 10 97

www.manitou.com

700312EN-B - 06/08 - Doc BE 312/Ind. C



# MANITOU