

# Masted forklifts trucks

## ■ **MA 460/470**

- Capacity : 6000 kg and 7000 kg
- Lifting height : 4.00 m
- Engine turbo diesel Euro III : 101 hp/74,5 kw
- 4 wheel drive
- Hydrostatic transmission
- Bucket capacity\* : 1.20 m<sup>3</sup>

**ARTICULATED CHASSIS**



\*Bucket and T.I. in option.

# MA 460-470



## Load capacity

MA 460 .....6000 kg  
 MA 470 .....7000 kg  
 at 600 mm load centre.



## Lifting height :

.....4.00 m  
 Lifting speed (m/s) :  
 unladen/laden MA 460 : .....0.35/0.23  
 MA 470 : .....0.32/0.30  
 Lowering speed (m/s) :  
 unladen/laden MA 460/MA 470 : .....0.37/0.43



## Tyres

Front : .....18 x 22.5 XXF  
 Rear : .....18 x 22.5 XXF



## Forks (mm)

Length : .....1500  
 Width x thickness : .....150 X 70



**Brakes** .....hydraulically operated



## PERKINS Euro III engine (Tier 3/Stage III A)

Type .....1104 D 44 T  
 Bore and stroke : .....105x127  
 Capacity : .....4 cyl. - 4400 cm<sup>3</sup>  
 Rated speed : .....2200 r.p.m.  
 Power (ISO/TR 14396) : .....101 HP (74.5 kw)  
 Max.torque : .....392 Nm at 1400 r.p.m.  
 Direct injection  
 Water cooling



**Transmission** .....Hydrostatic  
 2 speed forward and reverse  
 Travel speed : .....26 km/h  
 Electromagnetic reversing shift



## Hydraulics

Main pump (lifting, tilting, accessories) 1st :  
 Gear type : .....200 bars/92 l/mn  
 Steering pump  
 Gear type : .....175 bars/92 l/mn



## Capacities

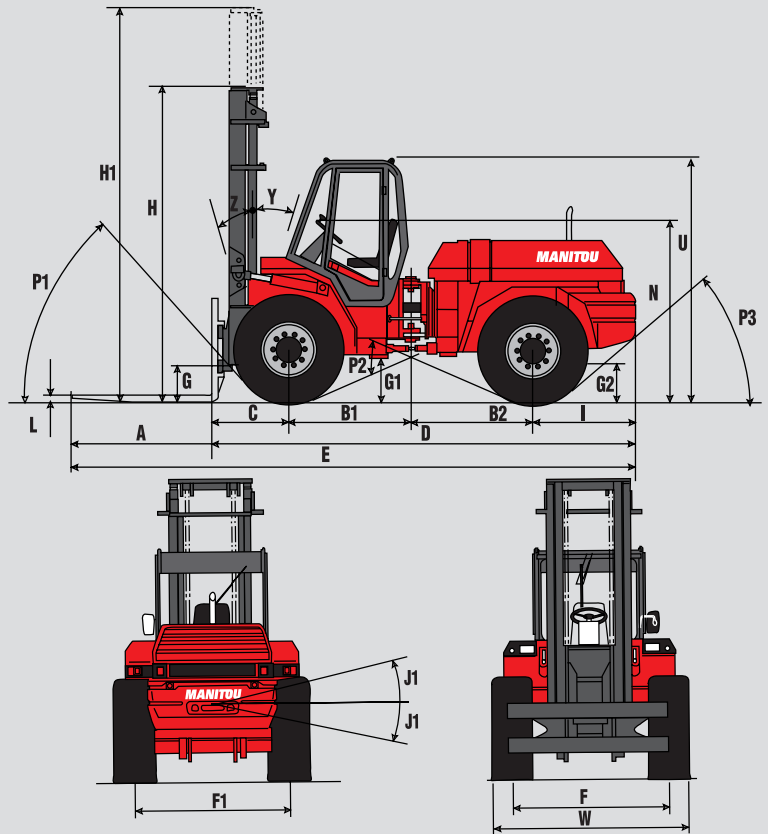
Cooling system .....15 l.  
 Engine oil .....11.5 l.  
 Hydraulic oil .....144 l.  
 Transmission oil .....3 l.  
 Fuel tank .....121 l.



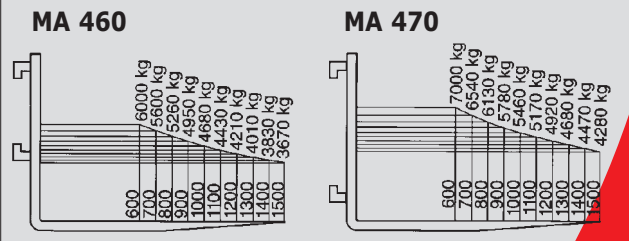
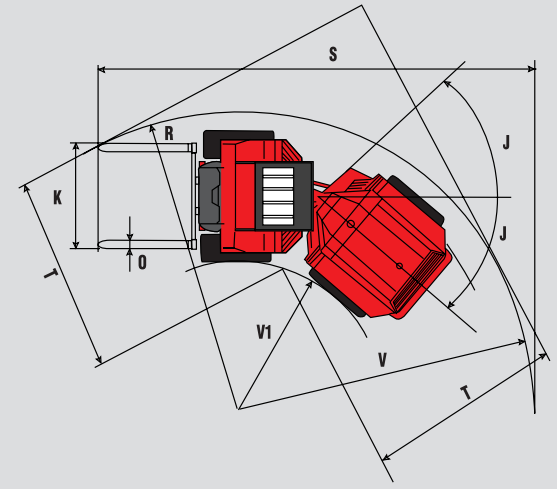
**Weight (with standard mast)** MA 460 .....9670 kg  
 MA 470 .....10100 kg

Mast	Overall height mast lowered (mm)		Overall height mast extended (mm)	
	with kit	without kit	with kit	without kit
3.60 m	3235	3210	5035	5010
4.00 m	3435	3410	5435	5410
4.50 m	3685	3660	5935	5910

	MA 460	MA 470
Draw bar pull (laden)	8200 daN	8200 daN



A	1500
B1	1300
B2	1300
C	817
D	4517
E	6017
F	1740
F1	1740
G	360
G1	480
G2	410
H	3410
H1	5410
I	1100
J	40°
J1	13°
K	1750
L	70
N	1960
O	150
P1	55°/122%
P2	48°/111%
P3	38°/78%
R	4415
S	7308
T	3272
U	2565
V	4990
V1	2430
W	2180
Y	12°
Z	17°



This publication in no way constitutes an offer and the company reserves the right to alter specification without prior notice.



## MANITOU BF SA

B.P. 249 - 44158 Ancenis Cedex - France  
 Tel. : 33 2 40 09 10 11 / Export Department Fax : 33 2 40 09 10 97  
 www.manitou.com

700131EN-C - 03/09 - BI - 004/Ind E

